



Rebel 102 Servo SE

The Rebel 102 Servo SE is a compact bar loading system for CNC lathes. With a large magazine capacity allowing for long unattended operation, the Rebel combines the advantages of auto bar loading with a small footprint and an economical price.



Rebel 102 Servo SE

The Rebel 102 Servo SE is an automatic Bar Loading Magazine for processing bars in the diameter range of 8 - 102mm and in lengths up to 1520mm (5') on CNC lathes.

Conversational Programming

- User friendly software delivers fast set-up on easier jobs and powerful advanced features for more sophisticated demands.
- **Sub-spindle mode** allowing you to "feed-on-the-fly" using your lathe's sub-spindle.
- **Return & wait mode** which slashes 30% of bar change time from the load cycle by staging the next bar while the lathe is still cycling.
- **Fixed piece feedout** eliminates the need for a stock stop by allowing you to program a feedout value.
- **(Optional) shaft loading** provides an efficient, off-the-shelf loading system for higher production shaft jobs. Rebel 102 SA



Conversational Control Features State-of-the-Art Touch Screen and Menu Driven Programming

Control stores up to 36 part programs

Programmable Bar Diameter & Part Length

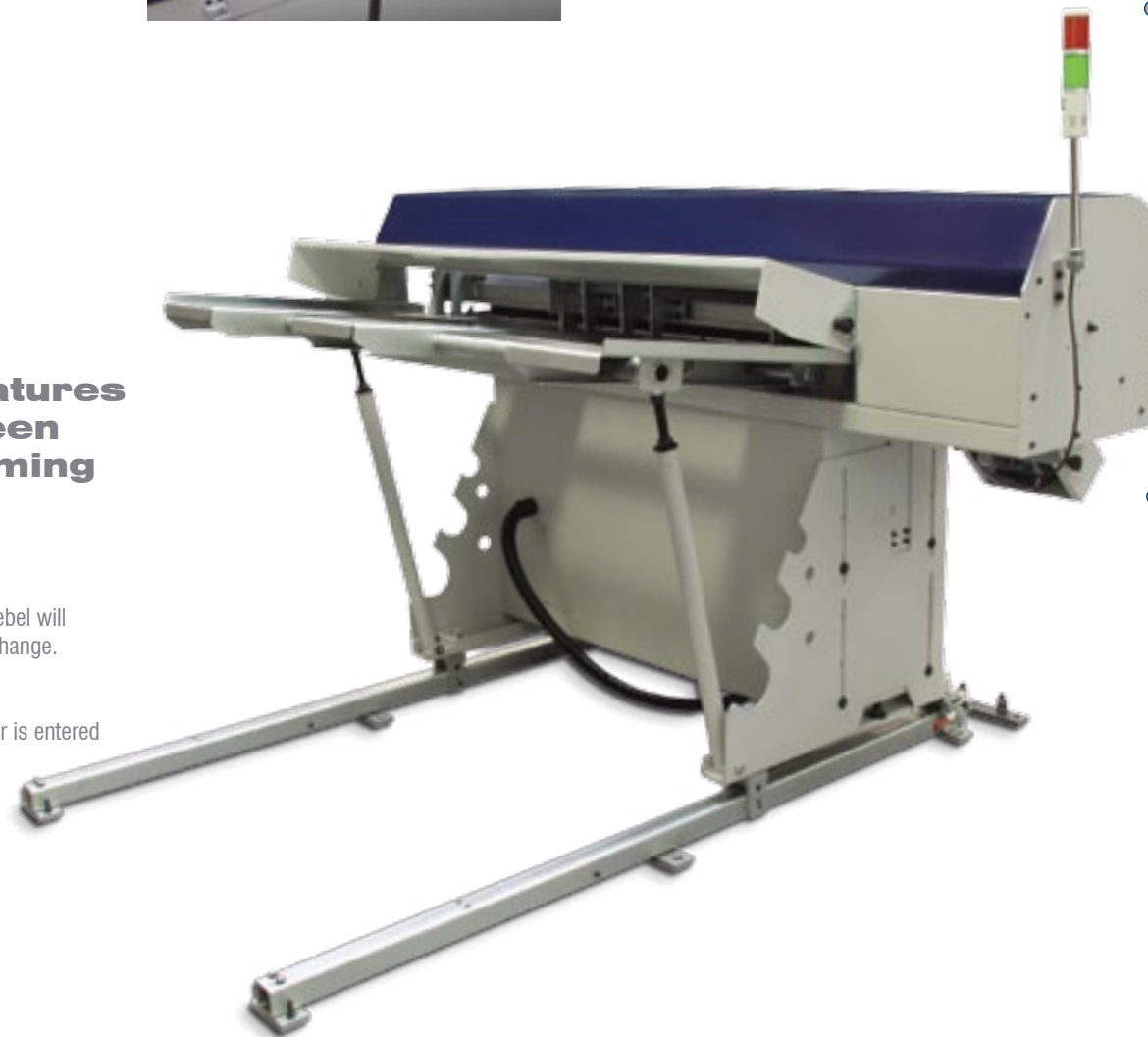
The operator simply enters the bar diameter and part length, the Rebel will automatically adjust the parameters for loading, feedout, and bar change.

Feed Force

Feed Force automatically set by the controller after the bar diameter is entered into the user-friendly touch screen control.

Remote Control Axis Jog

Using the control pendant, the operator can choose either forward or reverse pusher travel while the Rebel is in manual mode.



Linear Feed & Servo Drive

The bar stock is loaded into the main spindle of the lathe by a linear feed mechanism with a toothed belt and servomotor. This allows for the feeding of the bar stock into position without the use of a fixed bar stop.



All Electric Operation

The Rebel 102 SE runs entirely on electricity, no shop air required.



Bar Stock Length

Load bar stock lengths in a range of 6" to 60". Maximum stock length cannot exceed length of the headstock plus the chucking package.



Axial Shift

The axial shift allows for maintenance access to the back of the lathe spindle. The Axial Track is standard in X axis. Z axis is optional. Please specify axis style at the placement of the order.



Free Of Noise And Vibration

The rotating stock does not come in contact with the loading magazine allowing high speed machining, especially in hex, square, or profiled stock.

Spindle Liner Access

Spindle liners sized to bar stock diameter support the rotating bar allowing maximum RPM.



Spindle Liner Storage

Includes storage for (3) Spindle Liners under magazine



Extra Large Magazine

Magazine storage capacity is 760mm (30")

Soft Load

The magazine incline is adjustable enabling the loader to "soft load" large diameter bars.



Technical Data

- **Center Line Height**
950mm (38") - 1350mm (53.1")
- **Bar Diameter**
8mm (.315") - 102mm (4.015")
- **Bar Length**
152mm (6") - 1520mm (60")*
- **Rapid Return Rate**
1300mm/sec. (4'/sec.)
- **Bar Change Time**
Approx. 20 seconds
- **Operating Voltage**
Electric supply 230V (60HZ)
- **Bar Pushers**
10mm dia. Hardened steel
19mm dia. Hardened steel
- **Weight**
1100 lbs.

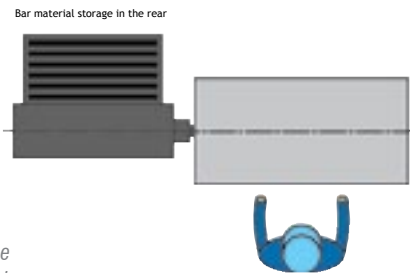
Options Available

- Z axial shift device
- Lathe spindle liners
- 6mm diameter bar pusher kit
- Magazine extension rack
- Special Application Shaft Load (Rebel 102 SA)

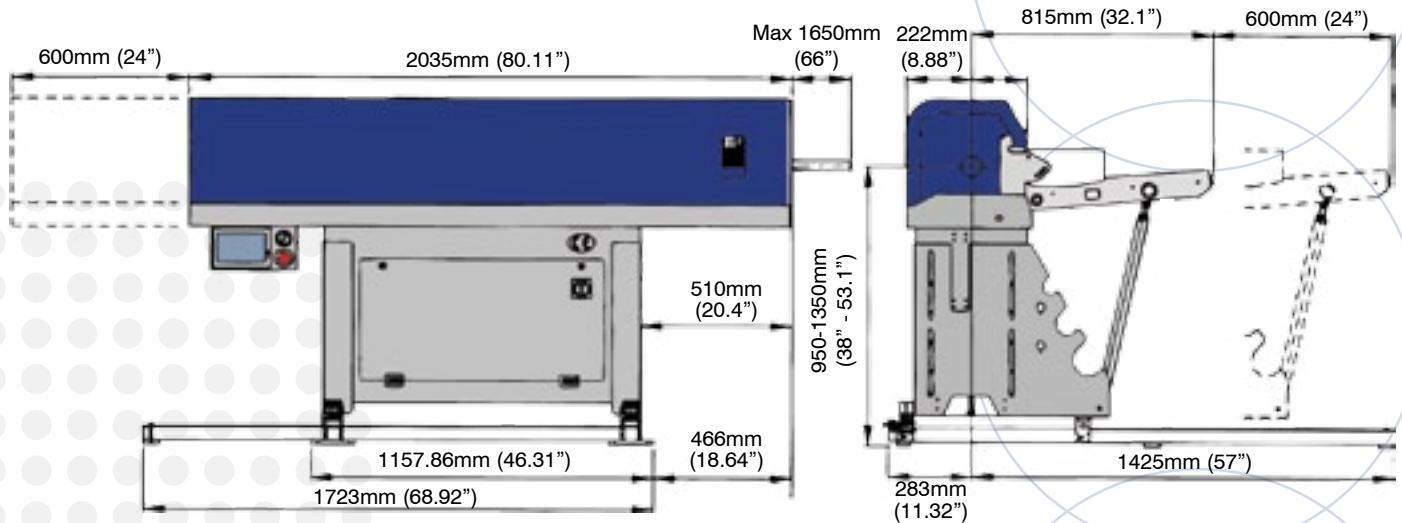
Specifications

Bar Size	8mm (.315") - 102mm (4.02")
Rack Capacity	760mm (30") deep
Bar Length	152mm (6") - 1520mm (60")
X & Z Axial Track Travel	X Axis = 650mm Z Axis = 600mm

Configuration



*The maximum bar length must not exceed the measured length from front of chuck jaw/collet to rear of headstock guard.



Technical data subject to change without notice

EDGE TECHNOLOGIES

11600 ADIE ROAD MARYLAND HEIGHTS, MO 63043

314.692.8388 ○ f 314.692.5152 ○ www.edgetechnologies.com