



ALPHA SL65 S BARFEED

SHORT AUTOMATIC BAR FEEDER FOR
SPINDLE LENGTH BARS FOR FIXED
HEADSTOCK TURNING MACHINES

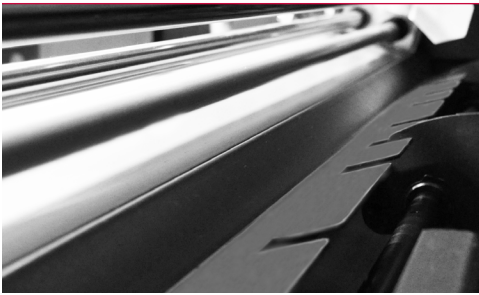
Diameter range: 1/4" - 2 - 5/8" (6 mm to 67 mm)

Overall barstock length: 12" to 61"*

*Not to exceed overall length of spindle

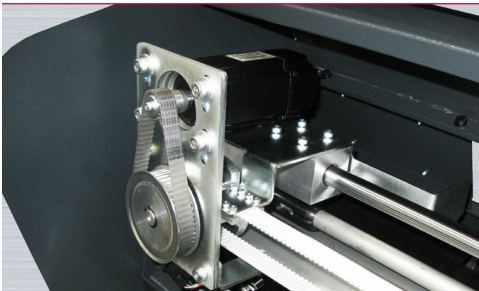


YOUR "ONE-STOP-SHOP"
FOR MACHINE-TOOL PERIPHERALS



A Price Competitive Solution

The Alpha SL65 S is the entry level solution for servo driven automatic loaders. The Alpha SL65 S is designed for automatic loading of spindle length bars up to 61" and 2-5/8" in diameter without exceeding the spindle length. The Alpha SL65 S is a simple and economical alternative that assures maximum productivity and reduced floor space.



Faultless Unattended Operation

Using a servo motor allows travels and positioning in high speed to a programmed position. It will automatically feed to length without losing contact between the pusher and the bar stock. This fully controlled movement allows soft touch when feeding against a turret stop.

The servo drive automatically adjusts speed, torque and acceleration/deceleration according to your production settings. The pusher/bar stock movement is similar to the controlled axis on your lathe.

In conjunction with the servo drive, the two notched belts and the rail guarantees reliable positioning to feed the bar stock in the spindle of the lathe.



Easy to Use Remote Control (HMI)

The operator-friendly HMI ensures the interaction between the bar feeder and the lathe, and therefore the production process can be run safely and efficiently.

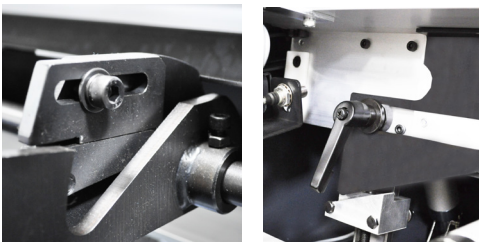
The HMI is ultra light featuring easy set up and operation. It displays alarm description, alarm history of operation errors and position tracking (inch/metric programming).

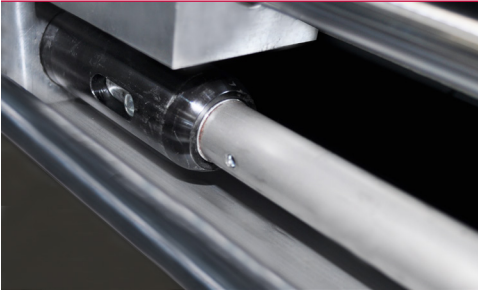
Easy setup in less than 1 minute. The operator simply inputs the part length into the remote control.



Increasing Your Production with Fast Diameter Changeover and Simplicity

The centerline of the Alpha SL65 S is manually adjusted and barstock adjustment can be performed in a matter of seconds, no tool required. Less than 5 minutes for partial changeover and 8 minutes or less for complete changeover. A simple adjustment for bar selection fingers is required on the magazine tray.



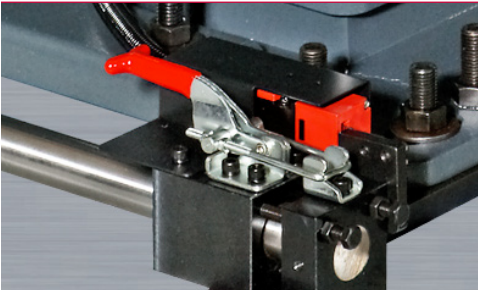


Quick Change Pusher

The Alpha SL65 S pusher can be changed in a matter of seconds with minimal production interruption.

Simply perform three easy steps:

1. Unlock the pusher tail
2. Remove the pusher
3. Install the new pusher and secure in locking position



E-Z Spindle Liner Changeover

The Alpha SL65 S comes standard with the 300 mm (12") X-axis retract system (600 mm, Z-axis on demand) providing full access to the rear of the spindle permitting spindle liners E-Z change within a minute or two.

The retraction can be easily unlocked and locked in position. For added safety the locking mechanism is verified via a safety switch.

The system guarantees a self-alignment when the barfeeder is locked in working position.



Unattended Operation

The large 26" (660 mm) capacity magazine tray allows "lights out" unattended operation. The loading tray will accommodate 10 bars of 65 mm (2-1/2") or 110 bars of 6 mm (1/4"). The adjustable tray provides versatility for optimum application adjustments (hex, square, etc.). Equipped with safety covers to prevent accidental access to live parts and safe magazine loading.

The Alpha SL65 S can load and feed round bars as well as hexagonal bars. With the help of an adapter hex/square converter, it can also load square bar stock.



Operation Safety

The Alpha SL65 S has multiple safety features:

- Main access cover protected by a safety switch, prevents any pusher movement in automatic cycle while open
- See through main access cover
- Magazine tray access cover with safety switch for safely reloading

Specifications subject to change without notice

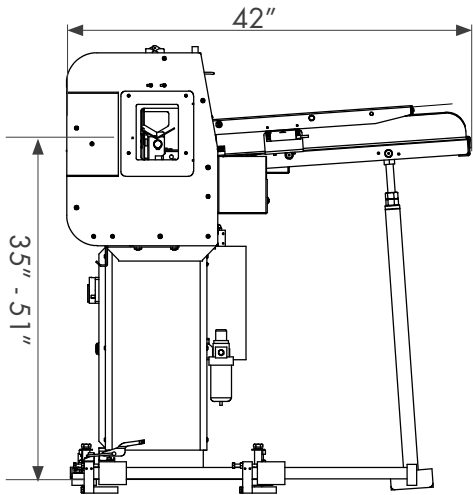
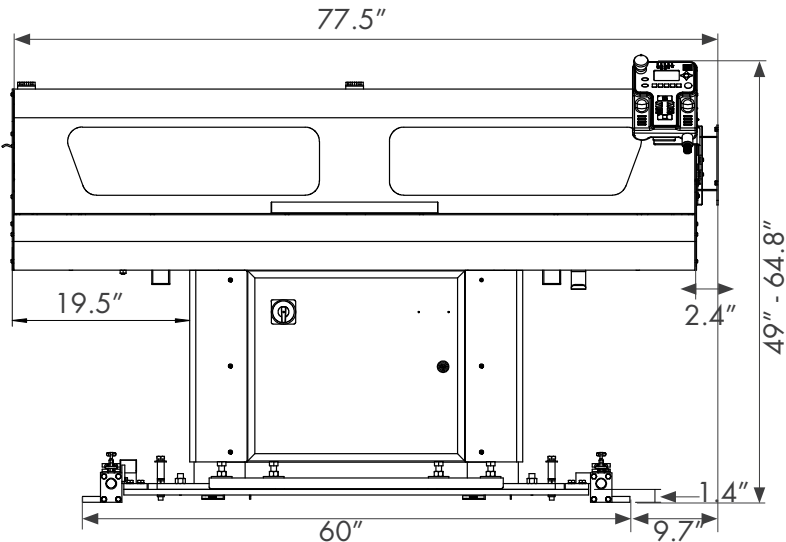


ALPHA SL65 S BARFEED

TECHNICAL SPECIFICATIONS

Capacity		
Diameter	mm	6 - 67
Bar Length (12" to 61")	mm	300 - 1550 not to exceed overall length of spindle
Loading System		Side Load Rack
Loading Capacity	mm	660
Loading		Rear
Shipping Weight	lbs	1,020
Applications		
Type of Headstock		Fixed
X Axis Retraction	mm	300
Changeovers		
Partial changeover	min	5 (manual)
Complete changeover	min	8 or less
Driving Systems and Bar Support		
Motor		Servo
Drive		Notched Belt
Options		
Z Axis Retraction	mm	600

Barstock Straightness Specifications and Performance
 For optimum rotational performance speeds, bar stock straightness needs to be .020" per 3.25 feet, non accumulative. Bar stock out of this tolerance will not run at optimum RPM. Other factors such as material type (brass, copper, bronze and other malleable materials), clamping efficiency of the machine workholding, alignment of the bar feed, oil type, bar preparation and spindle liners will affect optimum RPM capability of the system.



YOUR "ONE-STOP-SHOP" FOR MACHINE-TOOL PERIPHERALS

LNS provides a full range of barfeeders, chip conveyors, coolant management systems, air filtration systems, and workholding systems that is second to none on the market. We are known in the industry for the solid experience we have gained over several decades in an exceptionally wide range of applications, our excellent customer service, and our technical support. This support is ensured by highly qualified technicians who are available throughout North America.



LNS America
 4621 East Tech Drive
 Cincinnati, Ohio 45245

513-528-5674
 Sales@LNS-america.com
 www.LNS-america.com



LNS America, Inc.
 ISO 9001-10013185
 LNS Turbo
 ISO 9001-10000276

Facilities covered by this mark have been evaluated to international quality assurance standards by UL DQS Inc.